



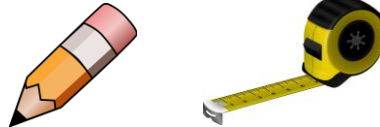
General Measuring Instructions

This manual is provided only as a quick reference guide. And is not for the sole purpose of every application and or every variance of shutter, for more help with measuring instructions please contact your local sales representative.

Alutech assumes no responsibility for loss or damage resulting from improper measuring. Check local building codes before measuring. For hurricane rated shutters follow: Engineering Installation Instructions listed under individual Alutech products on www.floridabuilding.org.

Tools Needed:

1. Pen or Pencil
2. Tape Measure
3. Proper Order Form



The Correct Measuring Sheet

Every Alutech Rolling Shutter is custom made based on your measurements. So please properly choose the correct order form for what product you are measuring, and follow the instructions on your order form to allow us to produce an accurate roll shutter.

You find the measuring sheets in the pricing section of the dealer book.

Bill To <div style="border: 1px solid black; height: 60px;"></div>	Ship To <div style="border: 1px solid black; height: 60px;"></div>	Alutech United Inc. 117 Dixon Street Selbyville, DE 19975 (302) 436-6005 (302) 436-5100 Fax	
Date <div style="border: 1px solid black; width: 100px; height: 20px;"></div>	Ship Via <div style="border: 1px solid black; width: 100px; height: 20px;"></div>	Salesperson <div style="border: 1px solid black; width: 100px; height: 20px;"></div>	Customer Po <div style="border: 1px solid black; width: 100px; height: 20px;"></div>

Alu Star Order Form

Frame Color <input type="checkbox"/> White <input type="checkbox"/> Beige <input type="checkbox"/> Cream <input type="checkbox"/> Gray <input type="checkbox"/> Brown <input type="checkbox"/> Other	Curtain Color <input type="checkbox"/> White <input type="checkbox"/> Beige <input type="checkbox"/> Cream <input type="checkbox"/> Gray <input type="checkbox"/> Brown <input type="checkbox"/> Other	If Code Select <input type="checkbox"/> IBC/IRC <input type="checkbox"/> NHVHZ <input type="checkbox"/> HVHZ Design Pressure _____ psf.	Measurement <input type="checkbox"/> Finished <input type="checkbox"/> Opening <small>Fin. Width / G-Height</small> Box Style <input type="checkbox"/> 45 (5-sided) <input type="checkbox"/> 90 (4-sided)	Stoppers <input type="checkbox"/> Invisible <input type="checkbox"/> Visible <input type="checkbox"/> None Slat Style <input type="checkbox"/> Lites <input type="checkbox"/> No Lites	Exit Back 1-> 2-> Front <- 6 <- 5 3 4	Switch Style <input type="checkbox"/> Rocker <input type="checkbox"/> Décor <input type="checkbox"/> Key Indoor <input type="checkbox"/> Key Outdoor <input type="checkbox"/> Toggle	Switch Type <input type="checkbox"/> Momentary <input type="checkbox"/> Stationary Switch Color <input type="checkbox"/> White <input type="checkbox"/> Ivory	Motor <input type="checkbox"/> Somfy <input type="checkbox"/> Elero Remote <input type="checkbox"/> 1 Ch. <input type="checkbox"/> 4 Ch.
---	---	--	---	--	--	--	--	---

****Measurements are from Outside looking in****

POS.	Qty	Box Size	Type(1)	Width	Height	Operator (2)	Inside L/R	Exit	Sill (3)	Build-out (4)		Stormbar F B	# Split(s)	Guiderail (5) Type	Drill S/R/NO*
										side	top				

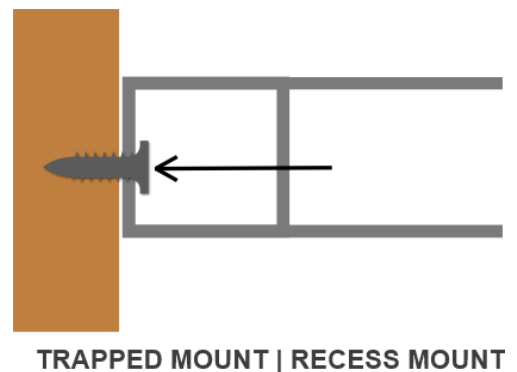
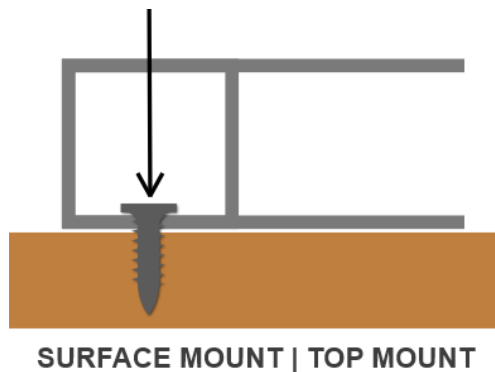
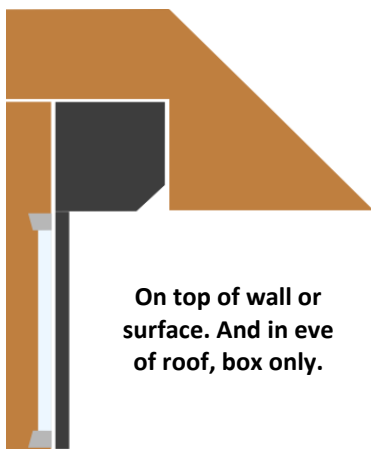
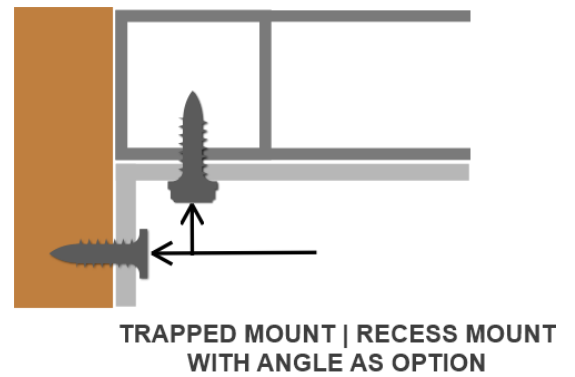
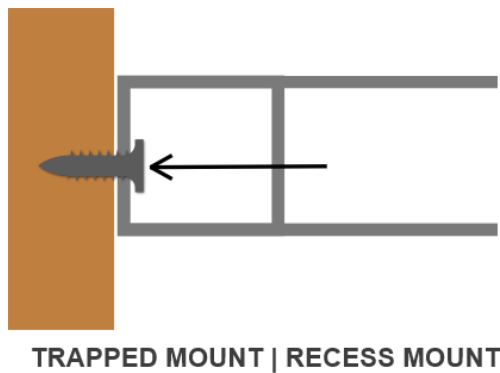
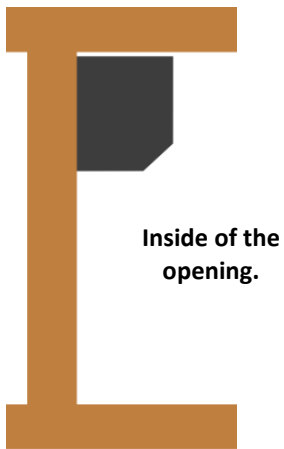
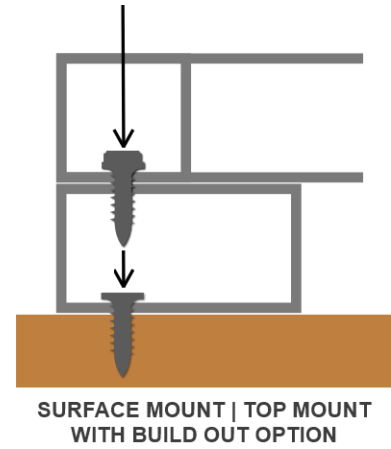
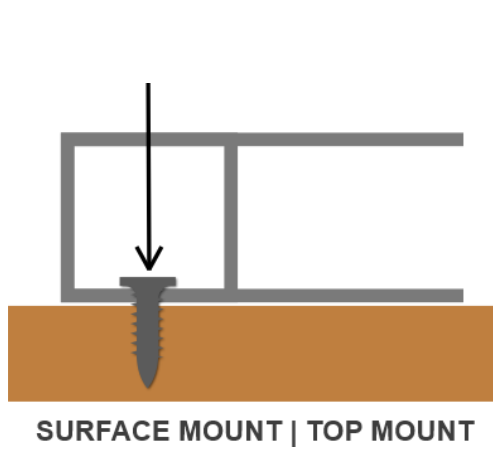
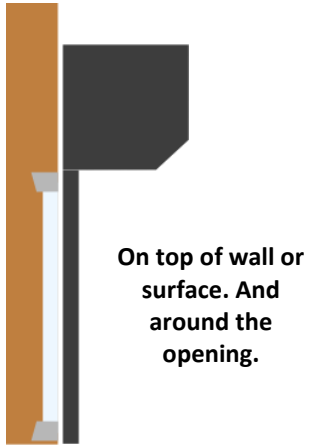
(1) RC-37(no lites), RC-42(only lites), RC-55 (only lites), RCE-40, RCE-60,Barr (Barracuda -no lites),Grill (10" spacing)
 (2) M-Motor, MO-Motor override, G-Gear, GS-Gear Spring,SP Spring Only, S-Strap, SC-Strap Crank, CC-Cord Crank, MR-MotorRTS,MRO- RTSCMO
 (3)(4) Post: 1x2pst, 2x2pst, 2x3pst - L-Angle: 1.5x1.5, 1x1, 1x2L, 1x3, 2x2L, 2x3, 3x3L
 (5) H25, H40, HSU, Maxi, SuperMaxi,Barr (Barracuda)
 * Drill For Surface Put (S) , For Recess put (R) , For No Predrill put (NO)
 *Colors **Not available in all Profiles / Slat Types(Please Ask Salesman)**

Quote **Order**
 Please Select / If Order Please Fill Out Information Completely

Additional Notes: If drawing Space needed use separate sheet/ Please Use Split Shutter Drawing Sheets as Provided

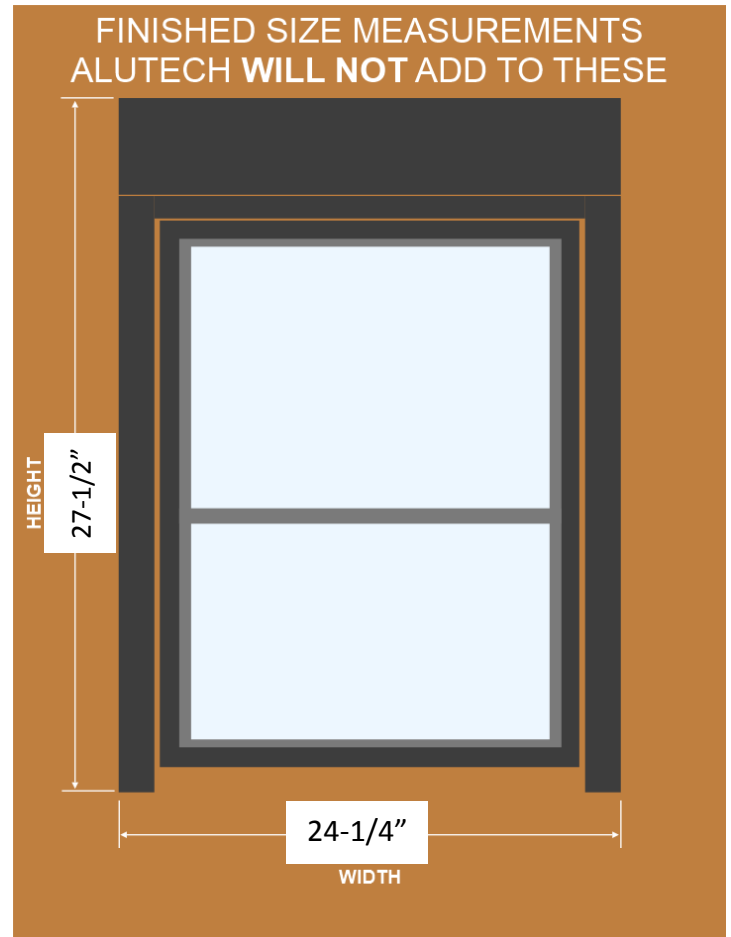
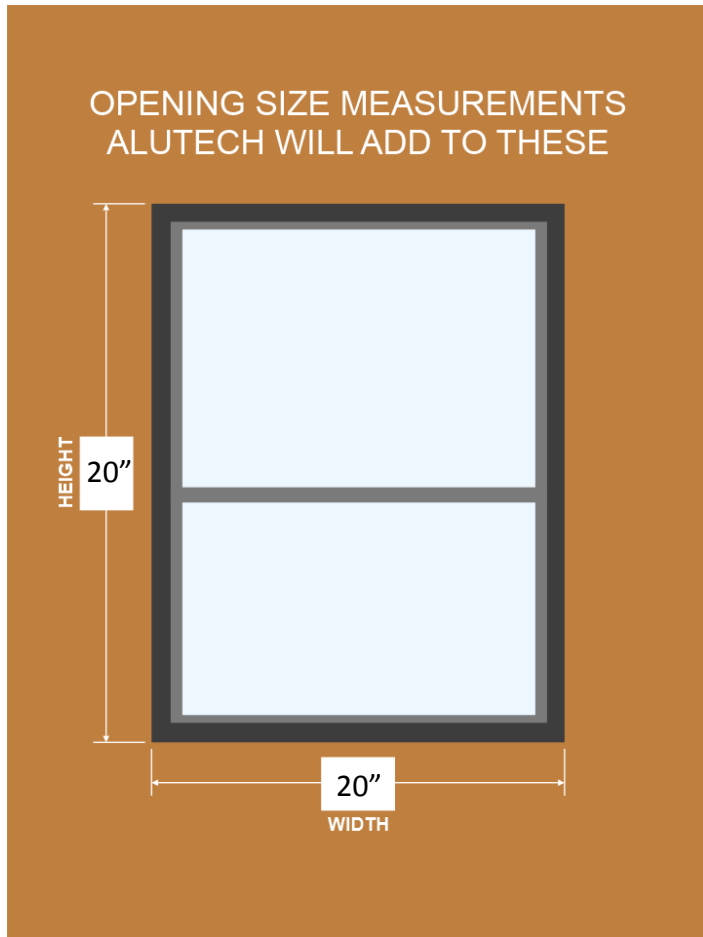


Mounting Methods





Surface Mount | Soffit Mount - two ways to provide measurements



OPENING SIZE = these measurements are usually just the window or door measurements only.

If this is giving to Alutech we will add rail width to each side and two inches to height for end slat hang down and for the required box size.

FINISHED SIZE = this measurement is the overall shutter size, from bottom of rail to top of box and outside edge of each guide rail.

OPENING SIZE IS = [20"x20"] with RC37 Slat, add 4-1/4" for rails, 2" for slat hang, than 5-1/2" for coil box.

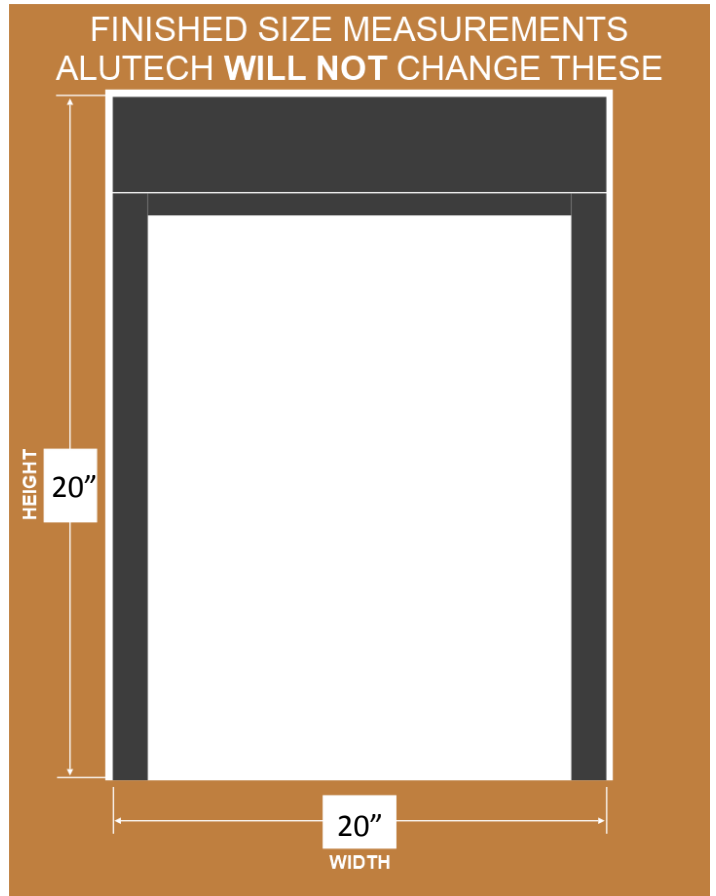
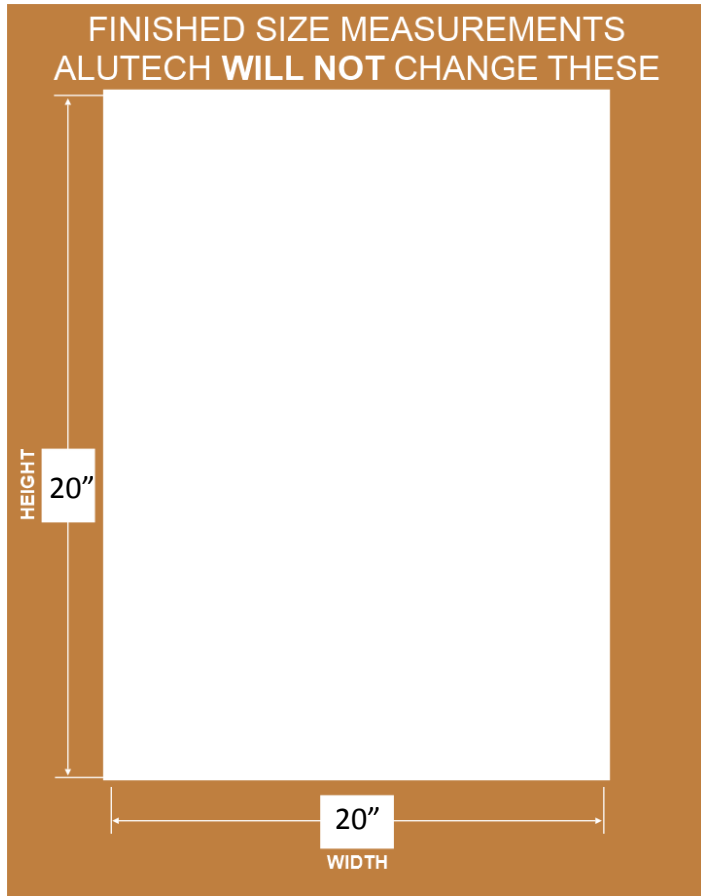
FINISHED SIZE IS NOW = [24-1/4" x 27-1/2"] –and we add nothing else to this.

These dimensions vary depending on the type of shutter you are measuring for, but information can be found on these dimensions on pages 5 and 6 of this instruction.

Build Out is only used when you have a protruding object that extends past the window, like a sill, door handle, brick molding, etc... So when measuring any surface mount shutter also keep a visual of these objects, you can find more information on what pack out sizes we carry in our parts section of the dealer book.



Trapped Mount- one way to provide measurements



FINISHED SIZE = this measurement is the overall shutter size, from bottom of rail to top of box and outside edge of each guide rail.

OPENING SIZE IS = [20" x 20"]

FINISHED SIZE IS = [20" x 20"] –we subtract nothing from this size.

YOU MUST SUBTRACT YOUR OWN IF THINK ITS OUT OF SQUARE – WE WOULD RECOMMEND TAKING AT LEAST 1/8" ALL AROUND.

ANGLE MOUNT = only needed when using an END RETENTION HURRICANE RATED system. The hurricane code does not allow us to use a screw through the throat of the guiderail. You can find more information on what pack out sizes we carry in our parts section of the dealer book.



Filling out Measuring Form

Choose color:
 Frame color includes, coil box, side rails, bottom slat and storm bars if needed.
 Curtain color only includes the rolling slats only.

Choose Measurement:
 Opening= just opening
 Finished= complete shutter frame
Choose Box style:
 45°= beveled box
 90°= square box [white only]

Choose switch:
 Only if a non-remote motorized shutter, default is Rocker if blank

Choose motor brand:
 Somfy is Standard, also offer Elero, or Hammerhead
Choose Transmitter:
 If Remote controlled only, not default will be picked

Choose code:
 Only check if a state requires this

Choose stopper:
 For manual only, prevents back roll
Choose stopper: light holes in slats

Choose switch type/color:
Momentary = releases after push
Stationary = stays on after push
 Default is Momentary and white

Bill To

Ship To

Alutech United Inc.
 117 Dixon Street
 Selbyville, DE 19975
 (302) 436-6005
 (302) 436-5100 Fax

AluStar Order Form

Date: _____ Ship Via: _____

Salesperson: _____ Customer Po: _____

Frame Color
 White
 Beige
 Cream
 Gray
 Brown
 Other

Curtain Color
 White
 Beige
 Cream
 Gray
 Brown
 Other

If Code Select
 IBC/IRC
 NHVHZ
 HVHZ

Measurement
 Finished
 Opening
 Fin. Width / G-Height

Design Preaur

Box Style
 45 (5-sided)
 90 (4-sided)

Stoppers
 Invisible
 Visible
 None

Slat Style
 Lites
 No Lites

Exit
 Back 1 →
 Front 2 →
 3
 4
 5
 6

Switch Style
 Rocker
 Décor
 Key Indoor
 Key Outdoor
 Toggle

Switch Type
 Momentary
 Stationary

Switch Color
 White
 Ivory

Motor
 Somfy
 Elero

Remote
 1 Ch.
 4 Ch.

Measurements are from Outside looking in

POS.	Qty	Box Size	Type(1)	Width	Height	Operator (2)	Inside L/R	Exit	Sill (3)	Build-out (4)		Stormbar F B	# Split(s)	Guiderail (5) Type	Drill S/R/NO*
										side	top				

(1) RQ-37(no lites), RC-42(only lites), RC-55 (only lites), RCE-40, RCE-60, Barr (Barracuda -no lites), Grill (10" spacing)
 (2) M-Motor, MO-Motor override, G-Gear, GS-Gear Spring, SP Spring Only, S-Strap, SC-Strap Crank, CC-Cord Crank, MR-Motor, RTS, MRO-RTSCMO
 (3)(4) Post: 1x2pst, 2x2pst, 2x3pst - L-Angle: 1.5x1.5, 1x1, 1x2L, 1x3, 2x2L, 2x3, 3x3L
 (5) H26, H40, HSU, Maxi, SuperMaxi, Barr (Barracuda)
 * Drill For Surface Put (S), For Recess put (R), For No Pre-drill put (NO)
 * Colors Not available in all Profiles / Slat Types (Please Ask Salesman)

Quote **Order**
 Please Select / If Order Please Fill Out Information Completely

Additional Notes: If drawing Space needed use separate sheet/ Please Use Split Shutter Drawing Sheets as Provided

Choose Box Size:
 Only select if you know, general guide is 1 ft is 1" of box [example 7ft = 7" box"]

Choose Operator:
 Select what type of slat you are using, see (2) for choices

Choose SLAT type:
 Select what type of slat you are using, see (1) for choices

Choose operator side:
 This is from inside the house/opening left or right side.

Choose override exit:
 This is only needed if crank system, choose from 6 options

Choose Stombars:
 An option when you use any non-retention shutter over 6 foot.

Choose rail type & drill:
 Pick rail type depending on slat choice or need.
 Pick drill type, S= surface drill
 R= recess drill, NO= no drill

Choose Sill or Buildout:
 Choose a sill when the shutter has nothing to rest on when closed, see (3) for choices
 Choose buildout when the shutter needs to be pushed out past objects such door handles, see (4) for choices

Choose split qty:
 Only fill in if needing to split shutter and use one operator.
 Please use split measuring sheet