

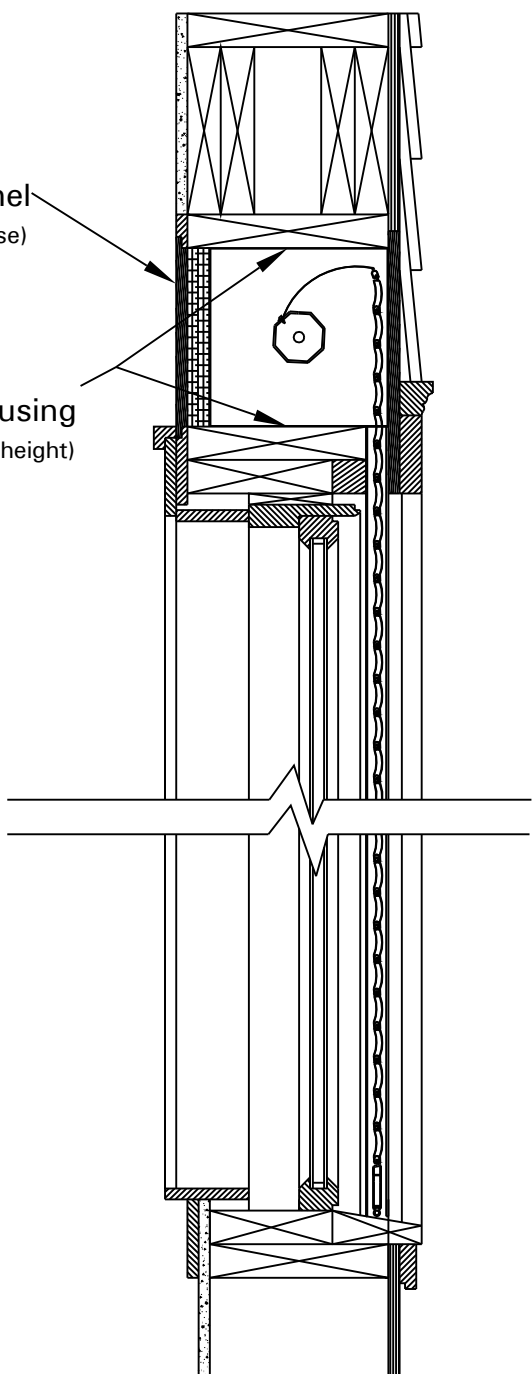


REVISIONS

ZONE	REV	DESCRIPTION	DATE	APPROVED
------	-----	-------------	------	----------

Access Panel
(from inside of house)

Shutter Housing
(size determined by shutter height)



**Alutech
United Inc.**

15 Dixon Street
Selbyville, DE 19975

By: Tobias Schanz

Date: 1-15-2003

**Concealed Mount
(in wall)**

SIZE	FSCM NO.	DWG NO. 1152003-1	REV
SCALE	N.T.S.		SHEET

