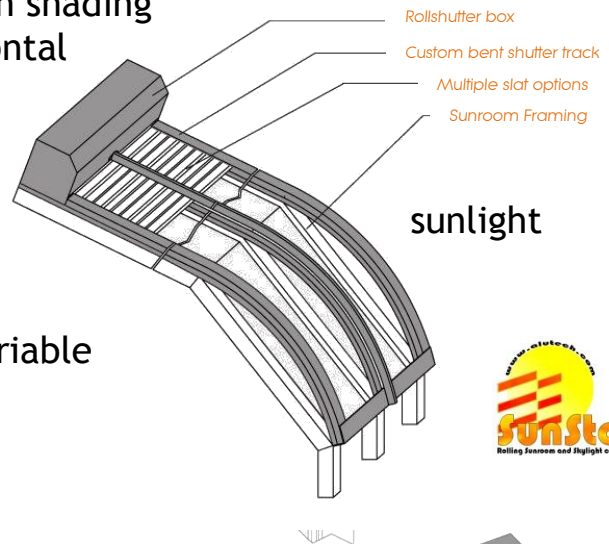
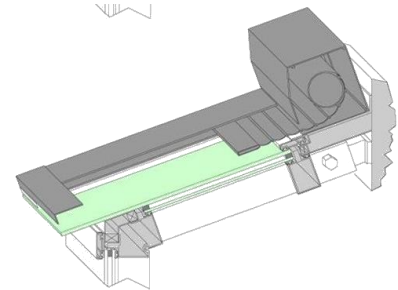


SunStar Horizontal Rolling Shutters

The Sun Star shutter system is a sun shading rolling shutter used to cover horizontal glass surfaces such as those found on sun rooms, solarium's and skylights, designed purposefully so that you can control the and temperature of your room, providing comfort and maximum protection in one, and the most variable thermal conditions imaginable.

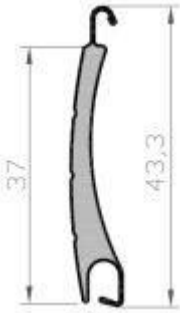


Sun Star shutter systems offer 90% greater thermal protection than similar style fabric shades. Not only will the Sun Star protect and cool a room, it will save energy and also reduce your ever increasing heating and cooling costs.



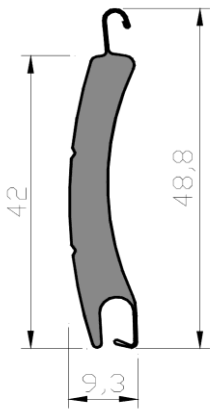
- Made from high quality aluminum and stainless parts
- 90% greater thermal protection than fabric shades
- Allows control over sun shading
- Saves energy and reduces heating and cooling costs
- Stop leaks from causing damage

Slat Options



- Aluminum roll formed blade with foam core
- Good thermal properties
- Light security
- Colors: white, cream, beige, brown, grey, silver, black

RC37 – FOAM FILLED



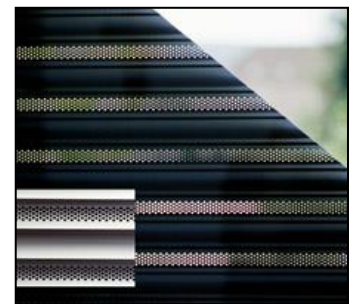
- Aluminum roll formed blade with foam core
- Great thermal properties
- Basic security
- Colors: white, cream, beige, brown, grey,

RC40 – FOAM FILLED

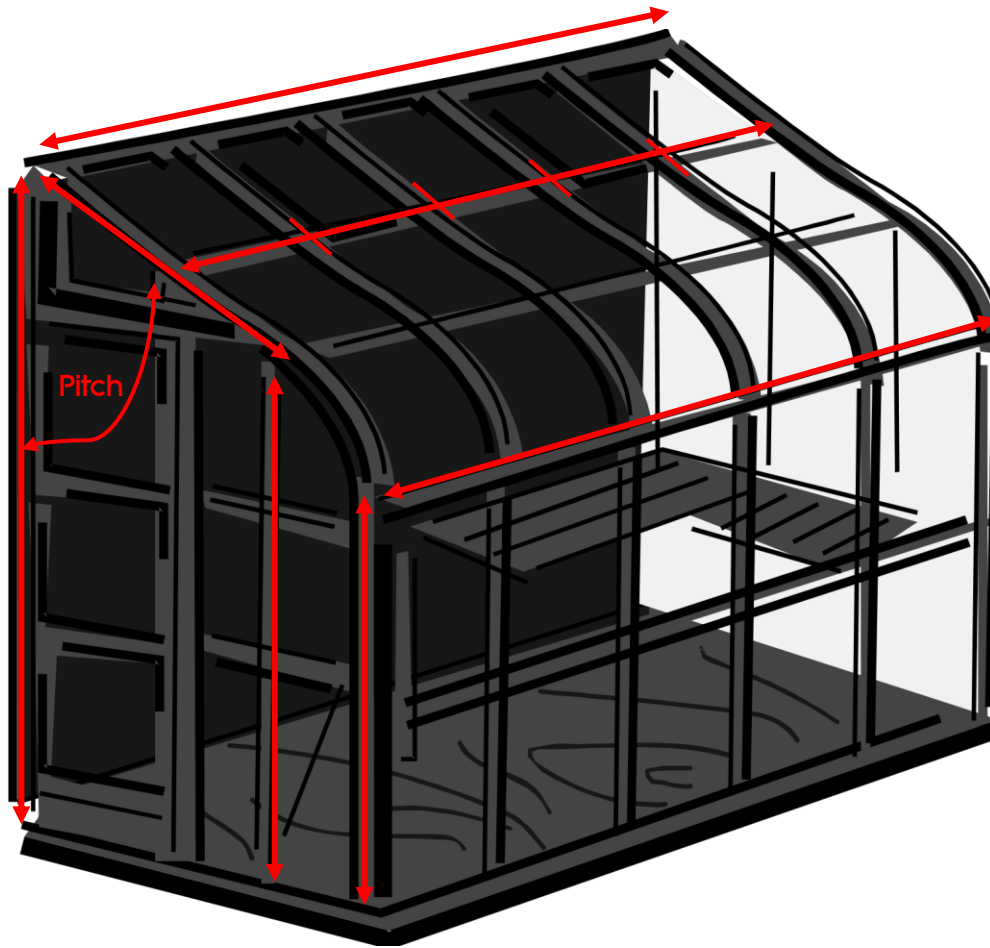


- Aluminum extruded blade “solid aluminum”
- Great thermal properties
- Perforated blade option “light holes”
- Great security
- Colors: white, brown, silver and custom colors

SINGLE WALL- EXTRUDED



Measuring Aid



Take a measurement where ever there is a **red arrow** indicator! Making sure not to forget the spacing measurements between frame-work!