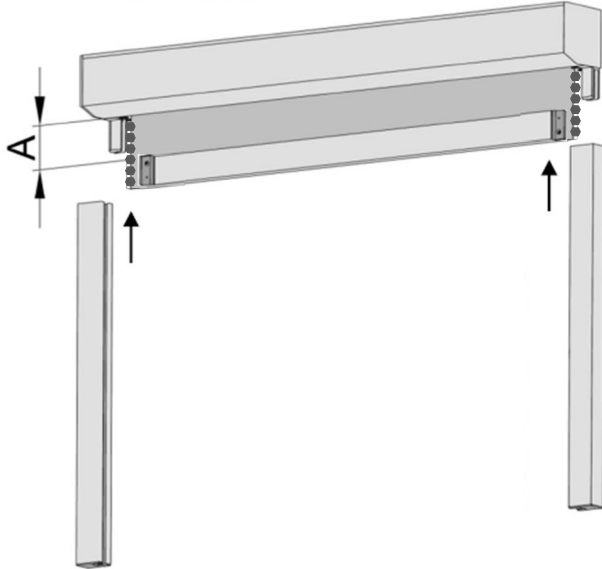


Basic Install Instructions

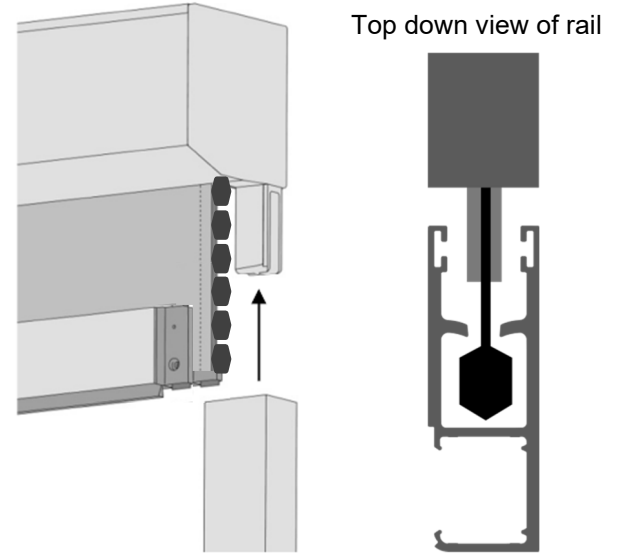
- Check dimensions of screen frame and window opening or enclosure opening you are covering

1

Overview: housing with screen and bottom slat

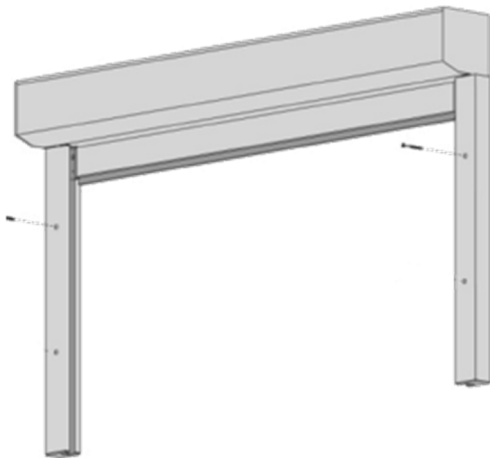


Dimension A
4" Fabric Hang Down to ease with installs



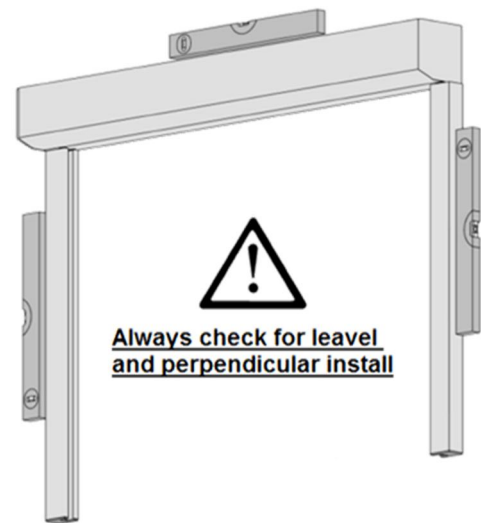
- Push guiderail up onto the pin of endcap
- Insert gliders with fabric into rail

2



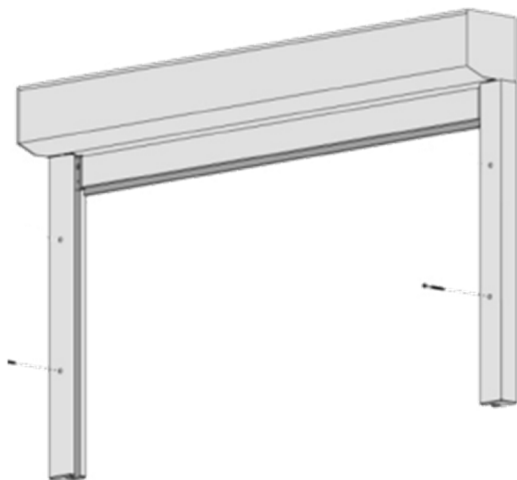
- Put one screw into top install hole in guiderail on each side of frame, but leave screw slightly loose to hold into place until you can level out frame

3



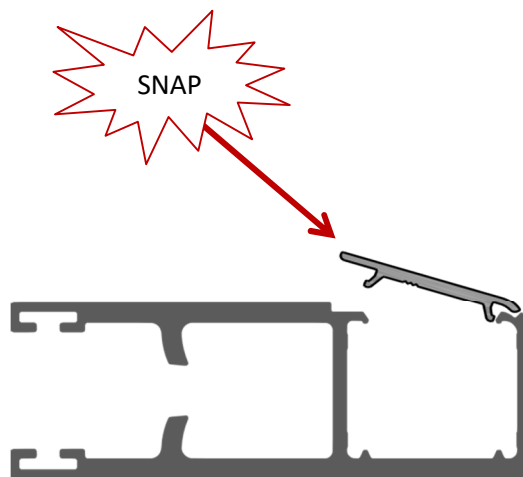
- Level guiderails and top of housing to insure nothing is out of level!
- Check to make sure that frame is square by measuring corner to corner
- Finish tightening top screw in guiderail.

4



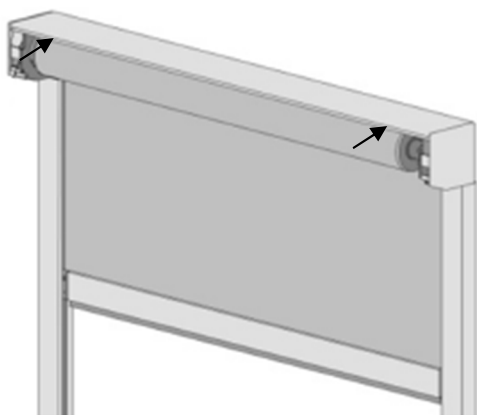
- After frame is level put anchors in the remaining holes in the guiderails.
- Install Stoppers to bottom hem bar

5



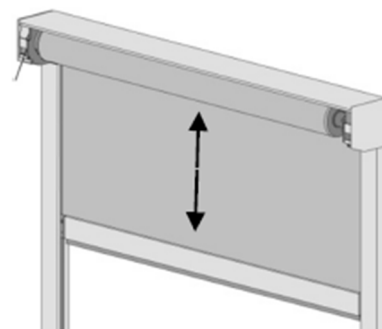
- Popping in the screw cover , start one edge in, then push down until you hear a snap

6



- Remove front cover of screen and drill a 1/4" hole on each end of the back or top of screen housing and apply the anchors needed.

7



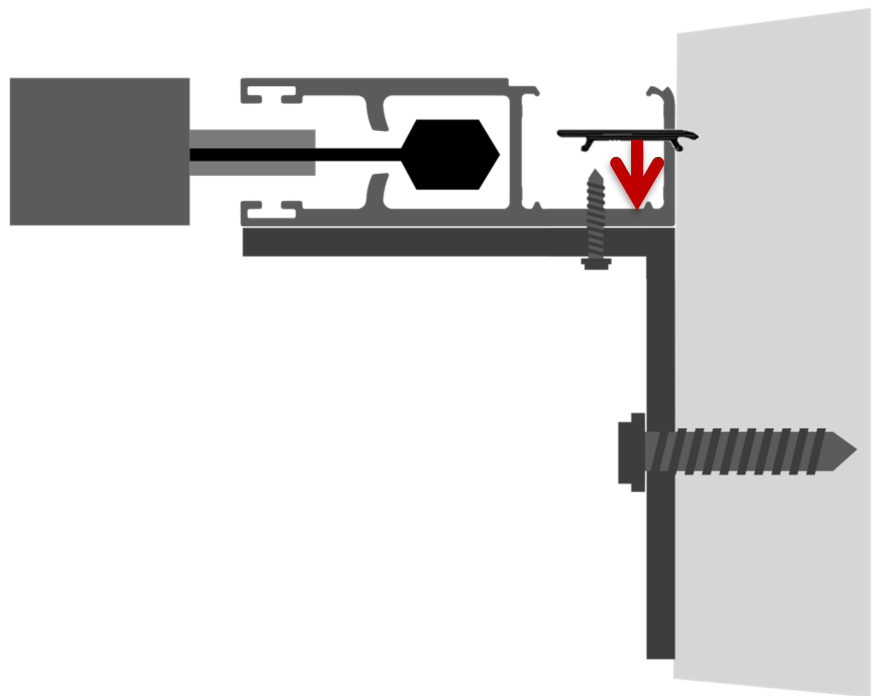
- If screen is motorized please refer to wiring diagrams for the appropriate application needed "switch, remote, etc..."
- Once screen is powered, setting of the limits is required, please refer to the appropriate instructions needed for your type.
- If screen is manual operator and the exit requires installation of crank into house please refer to our rollshutter gear install instructions.

8

Trapped Mount with Angle Instructions

Only needed if mounting within the opening

- **MAKE SURE SCREW COVER IS ON FIRST**
- Use steps 1 – 8 to start and finish
- Can use ¼" angle or 1/8" square tubing, both install in same fashion
- First mount angle to wall, keeping level
- Instead of placing screws through face, use tapping screws to penetrate through angle, driving screw into rail.



9

- These install instructions are meant for storm tex only, not to be used for any other of Alutech United's products.
- Check the installation site for proper fixation and stability of the structure for carrying the weight of the screen.
- To guarantee a long lasting product the screen and framing must be cleaned regularly, keep dirt and debris off and out of the frames and housing. To clean the surfaces please choose the proper cleaning agents "aluminum surfaces with non-aggressive products". Cleaning of the screen should be don't according to cloths manufacturer specifications
- Please always leave room for the front access panel, as it will be needed in the future for periodical maintenance.
- **Alutech will not warranty screen and its contents if a non-professional installation is taken place.**